

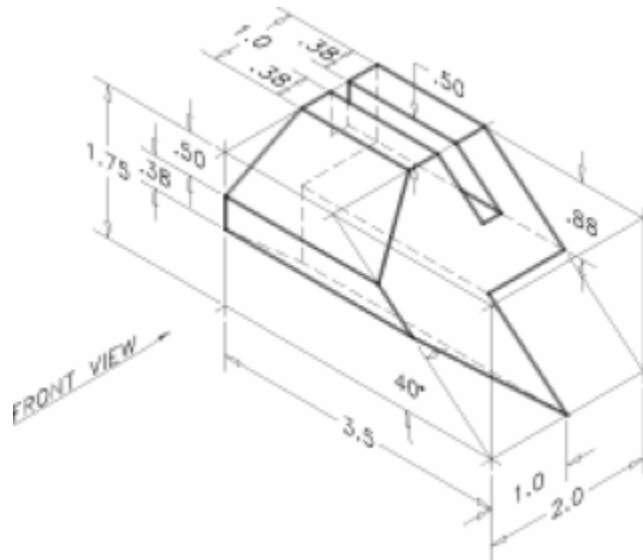
---

## PROBLEMS FOR CHAPTER 20

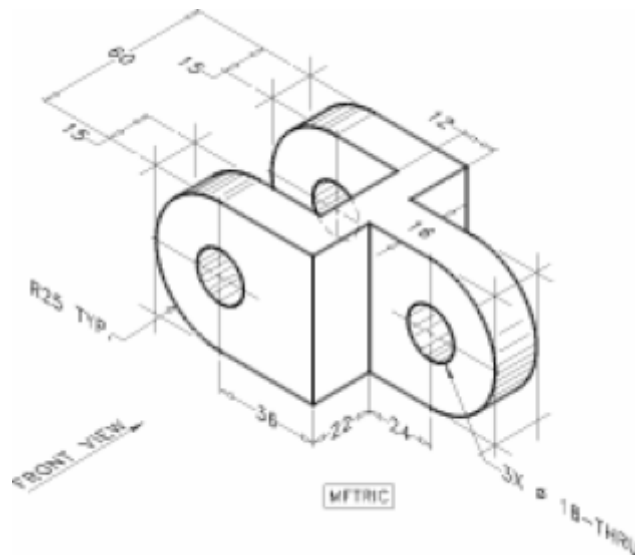
### DIRECTIONS FOR PROBLEMS 20–1 THROUGH 20–20

1. Create a 3D solid model of each object on Layer "Model."
2. When finished, calculate the volume of the solid model using the MASSPROP command.

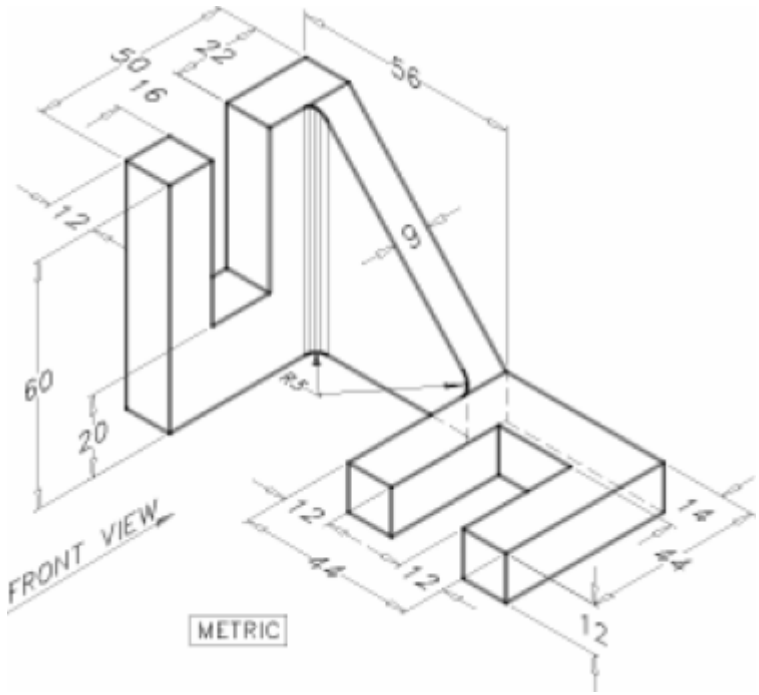
#### PROBLEM 20–1



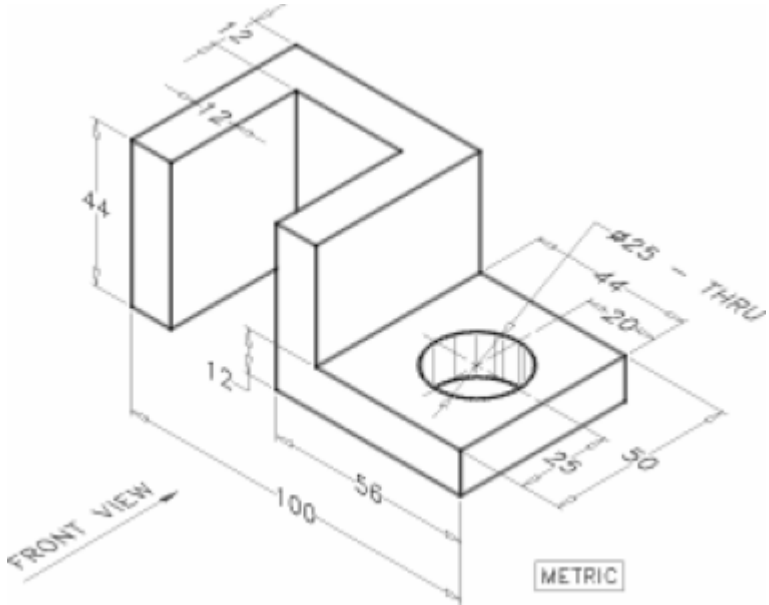
#### PROBLEM 20–2



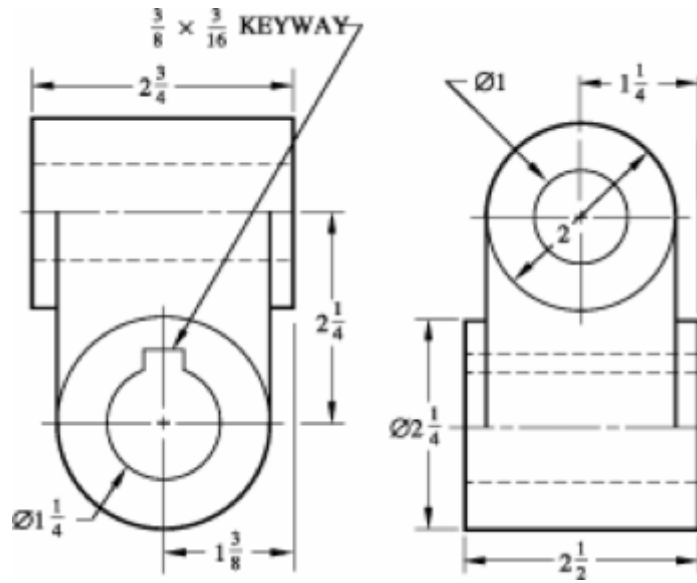
**PROBLEM 20-3**



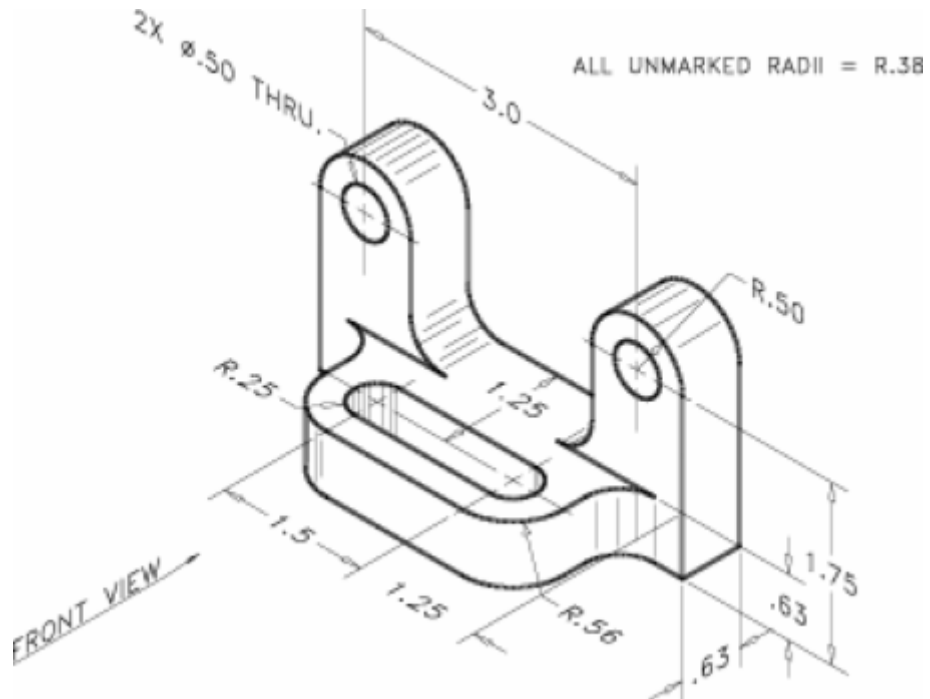
**PROBLEM 20-4**



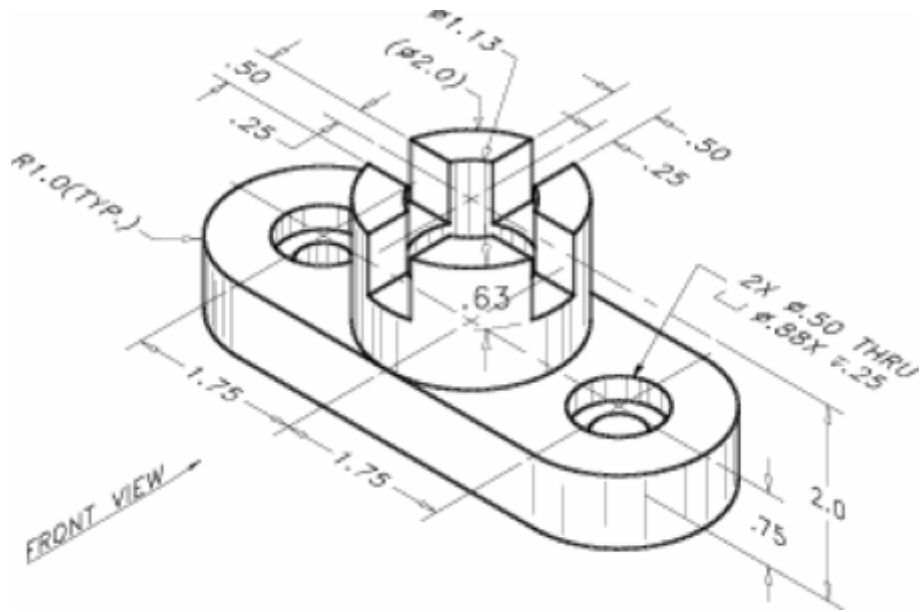
**PROBLEM 20-5**



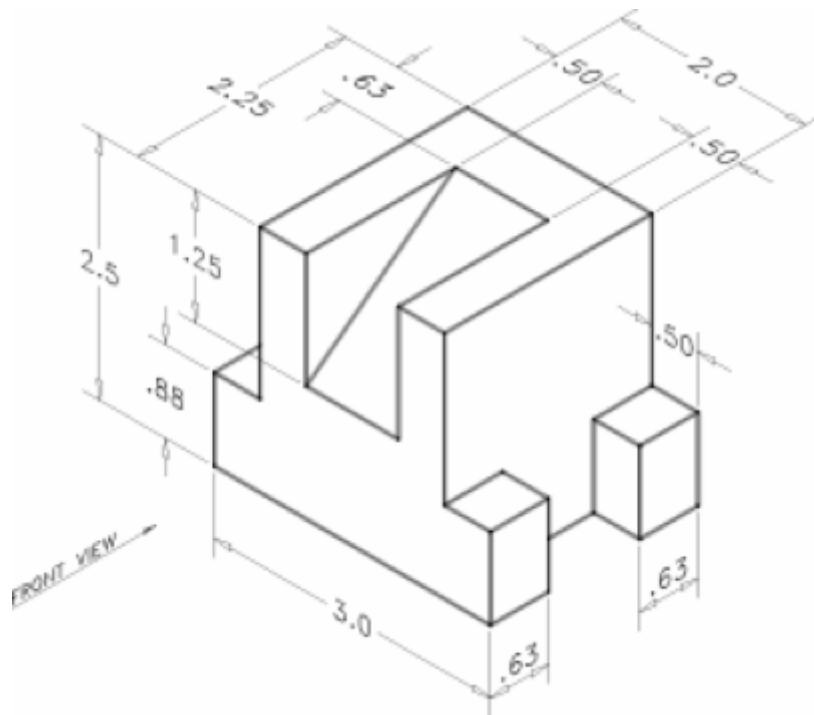
**PROBLEM 20-6**



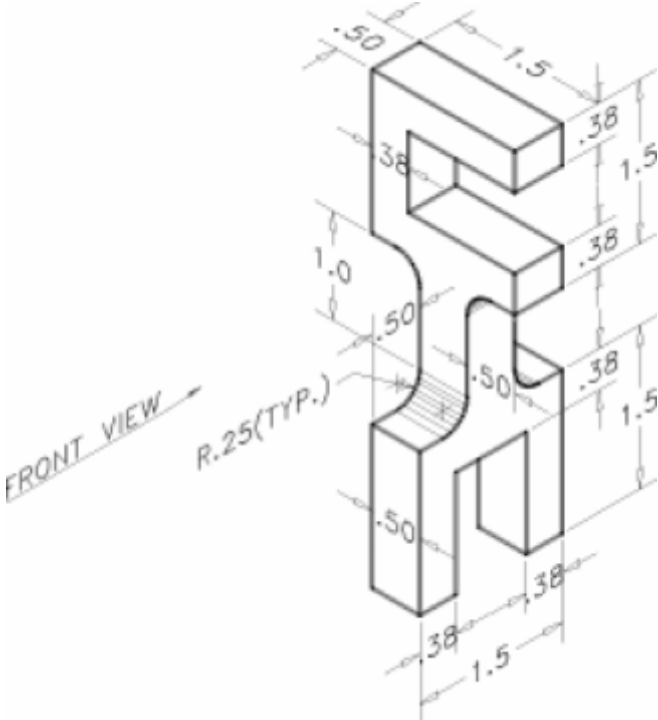
**PROBLEM 20-7**



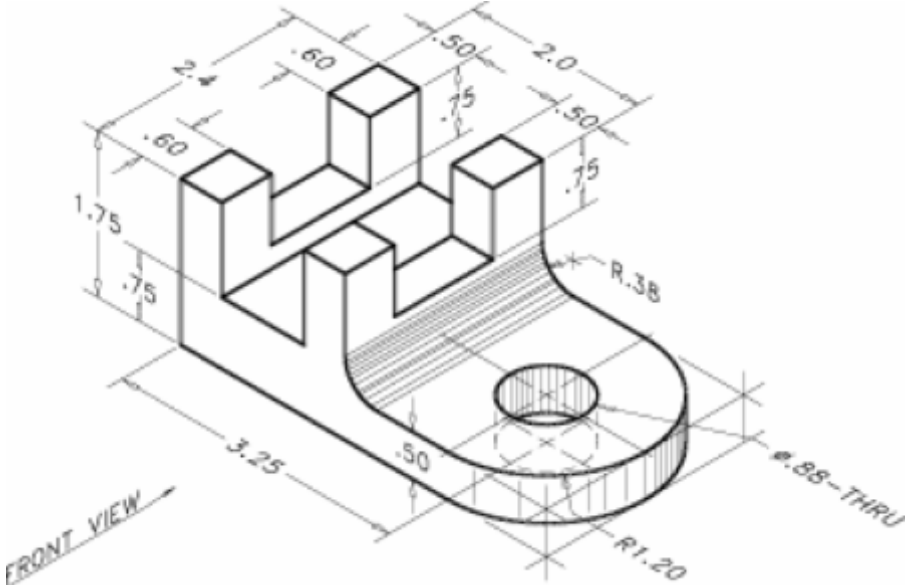
**PROBLEM 20-8**



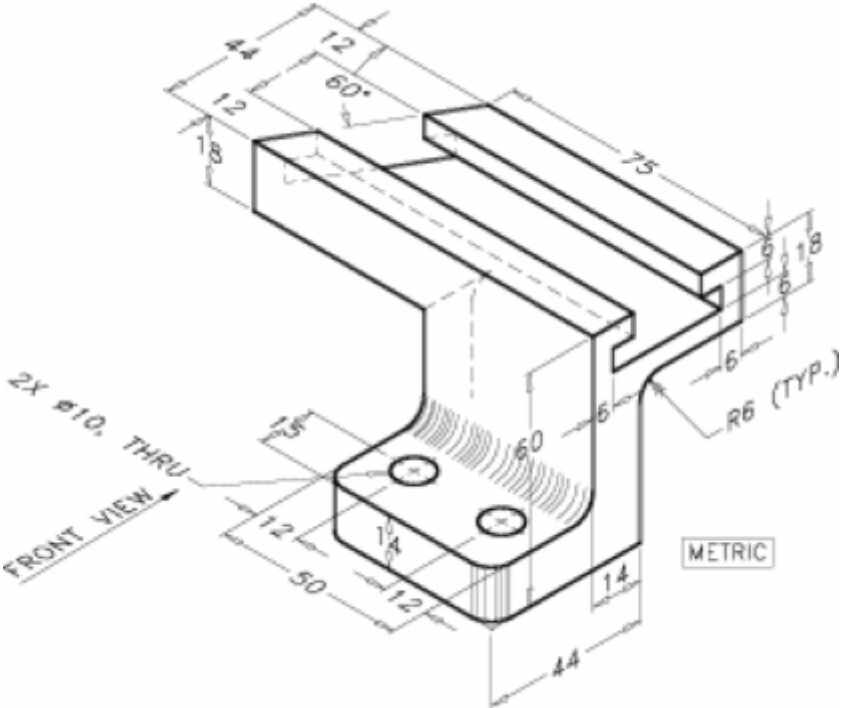
**PROBLEM 20-9**



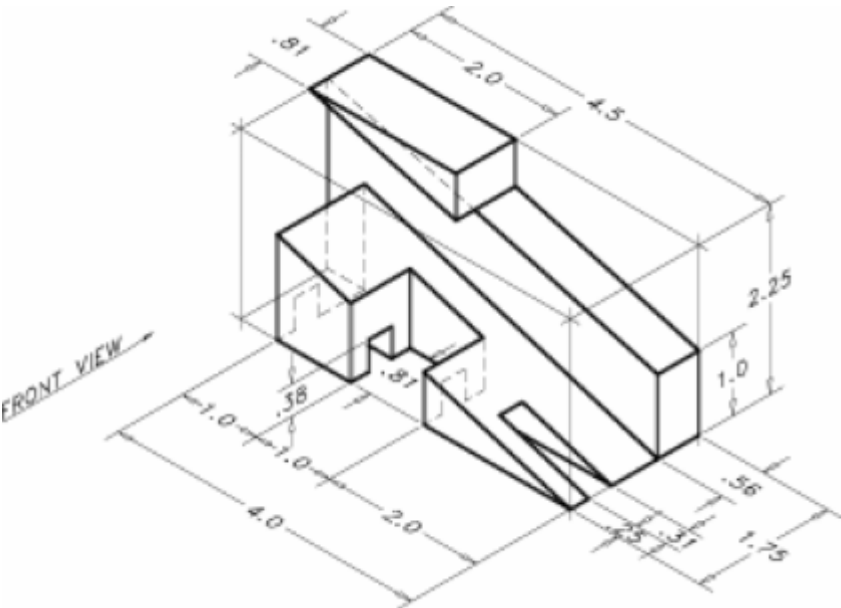
**PROBLEM 20-10**



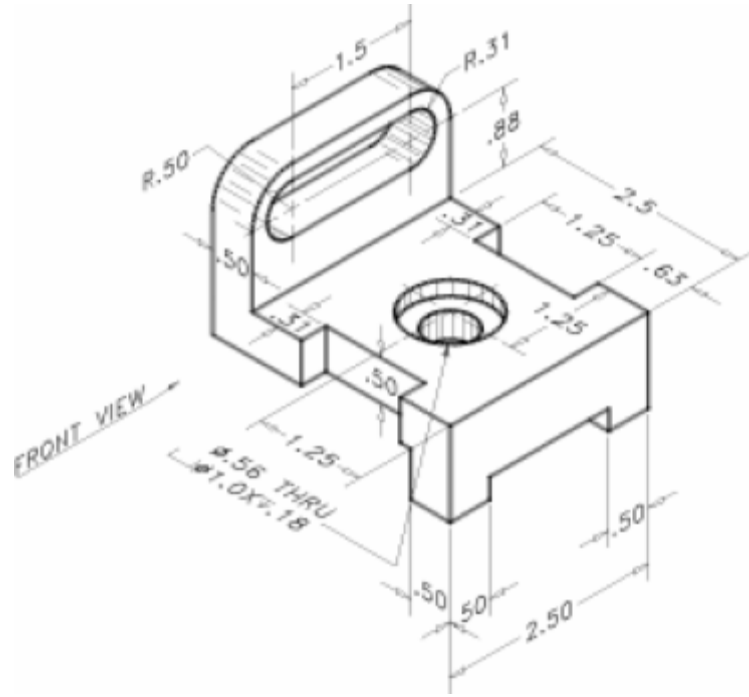
**PROBLEM 20-11**



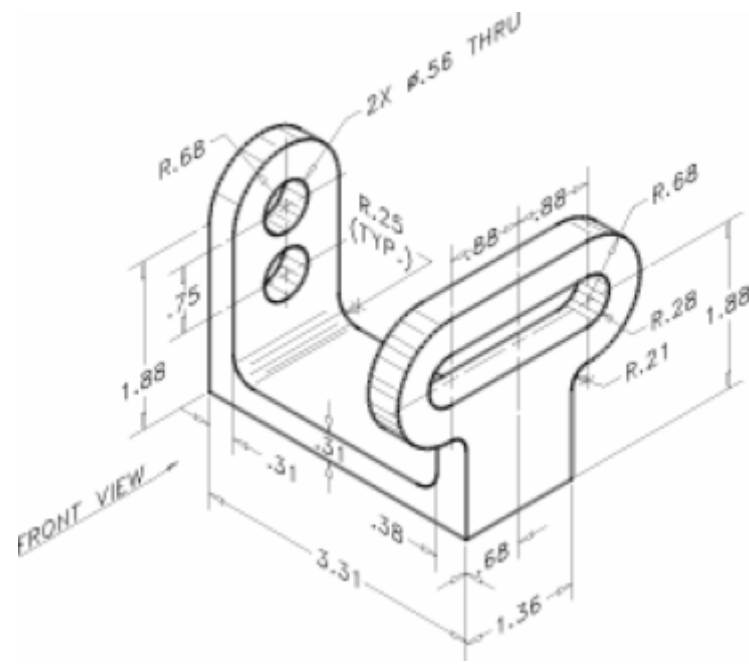
**PROBLEM 20-12**



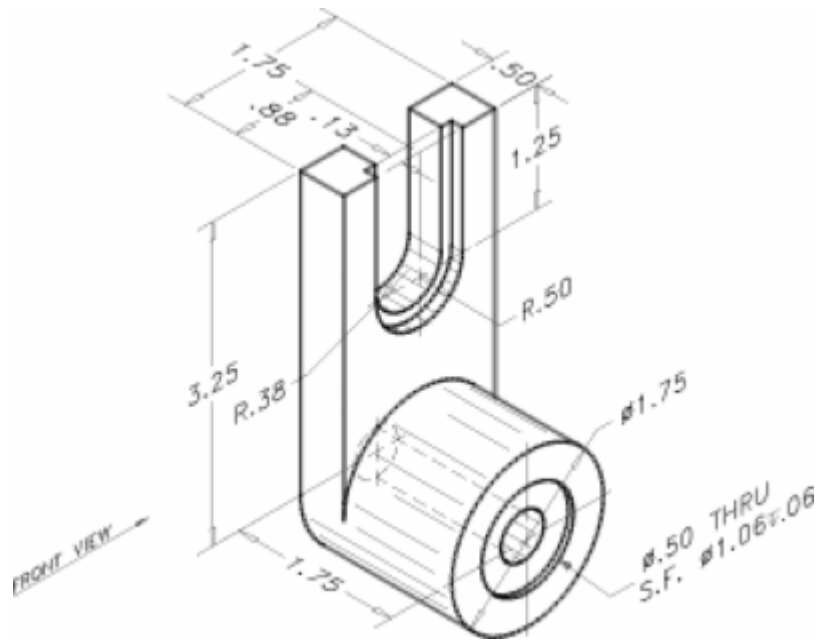
**PROBLEM 20-13**



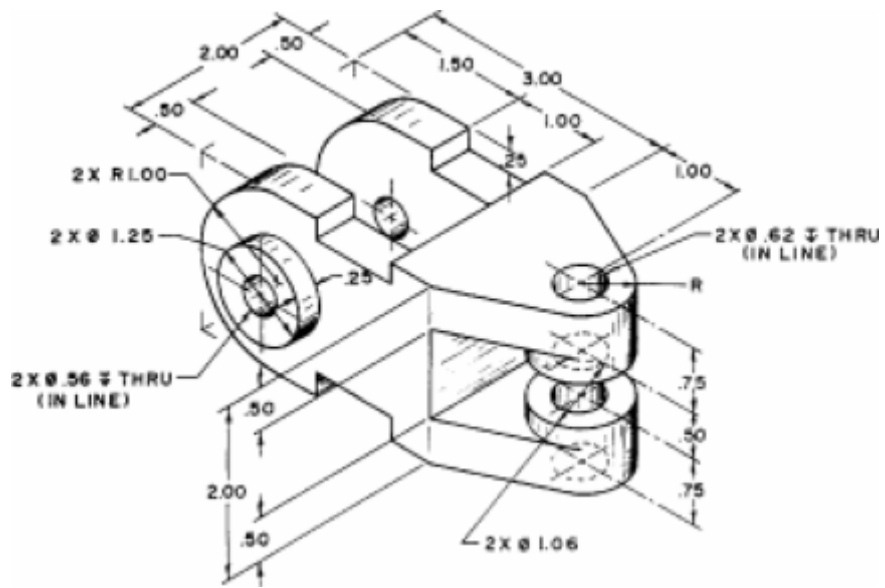
**PROBLEM 20-14**



**PROBLEM 20-15**

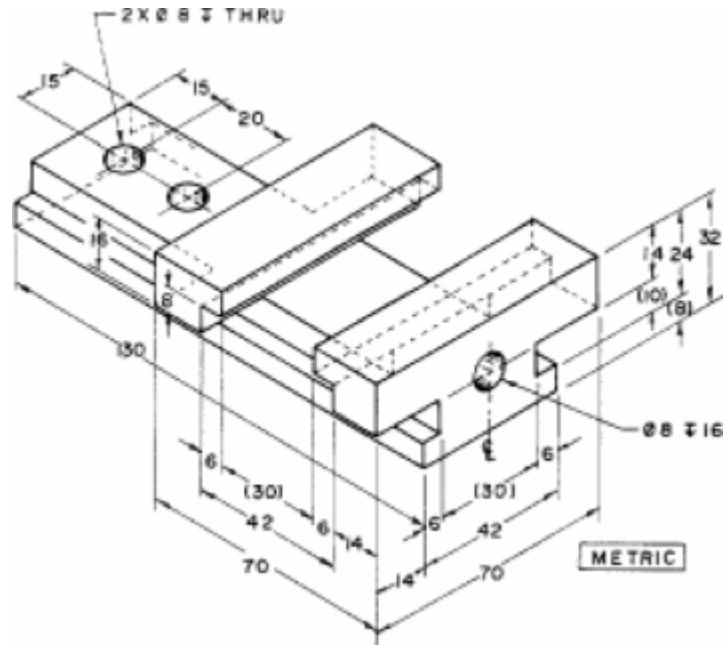


**PROBLEM 20-16**

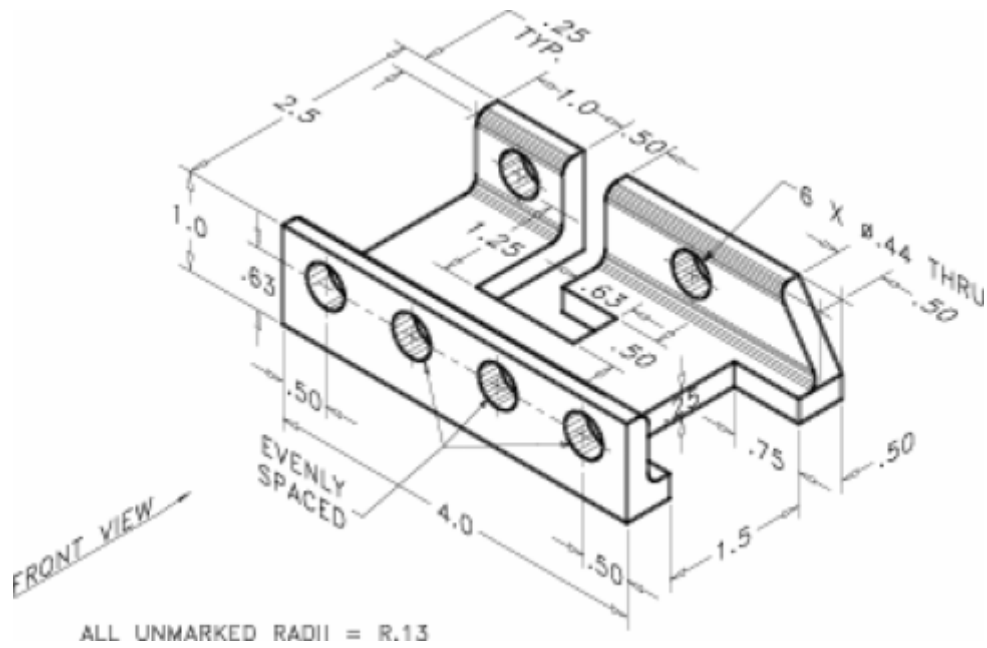




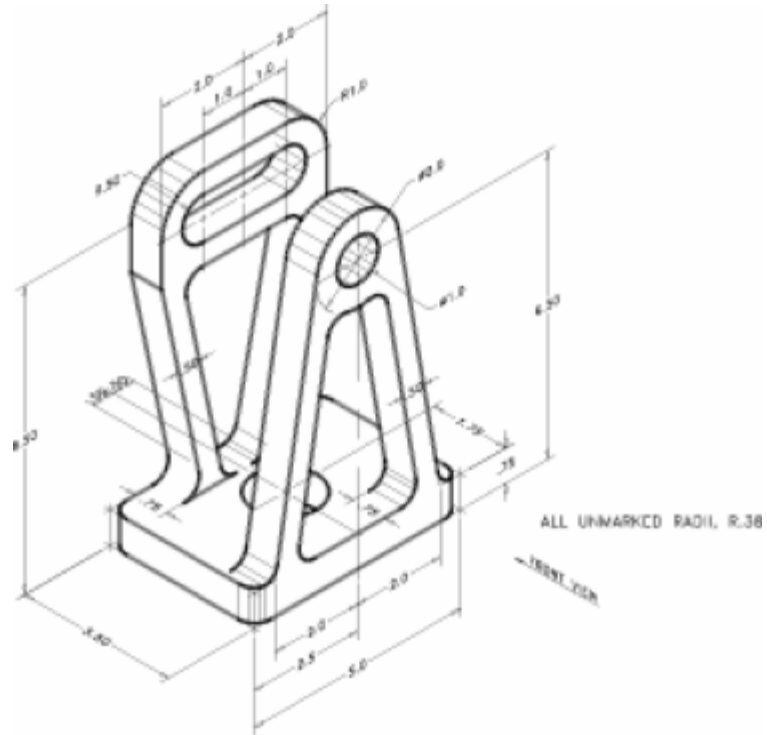
**PROBLEM 20-17**



**PROBLEM 20-18**



**PROBLEM 20-19**



**PROBLEM 20-20**

